

# HOT AIR GENERATOR



**PORTABLE SERIES  
FIREWA**

# HOT AIR GENERATOR

## FIREWA

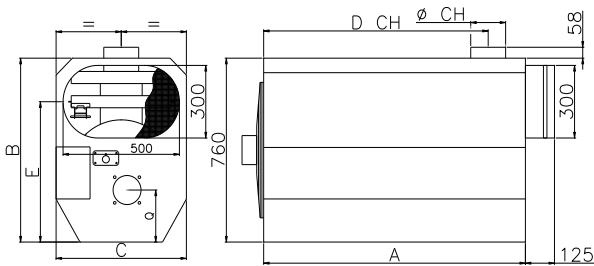
Particularly suitable to solve any hot air conditioning in spaces outside, springs of freight, workshops, stores, dryers, greenhouses, mushrooms farms, even poultry and pig farms.

- Chamber and exchanger in stainless steel AISI 430.
- Axial fan with large airflow (Centrifugal optional).
- Automatic drainage system.
- Designed to be able to move both horizontally and vertically.
- Hot-air outlet to attach ducts, gratings with mobile slats or mouths of distribution.
- Control panel in compliance with European standards.
- Connection power supply II 220V / III 380V according to model

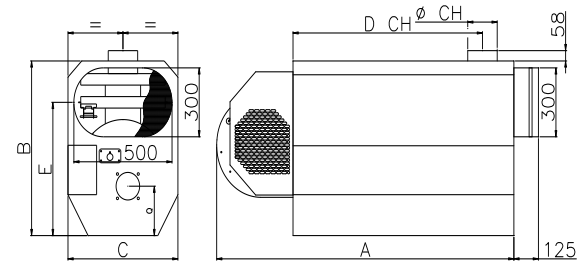


Model	NOMINAL HEAT POWER		USEFUL HEAT POWER	AIRFLOW VOLUME	MOTORS		PRESSURE		SOUND LEVEL	WEIGHT
	Kcal/h	Kw.	Kw.	m <sup>3</sup> /h	KW	VOLTAGE	Pa	Pa	dB(A) 1m	Kg
<b>FWA-55</b>	55.000	64	58	3.600	0,75	II-230-50Hz	73	75	73	117
<b>FWA-90</b>	90.000	105	95	8.200	1,5	III-230/400-50Hz	76	150	74	195
<b>FWA-150</b>	150.000	175	158	11.800	2,2	III-230/400-50Hz	85	150	86	310

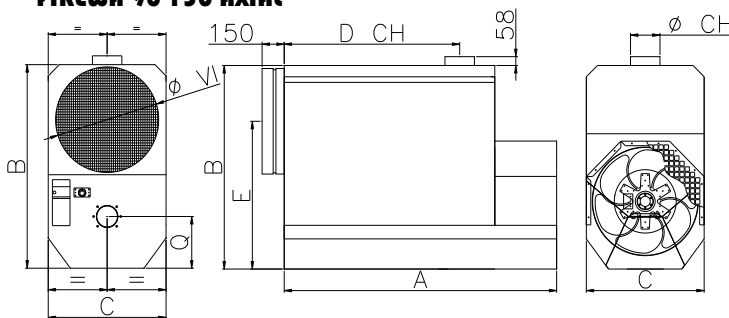
### FIREWA 55 AXIAL



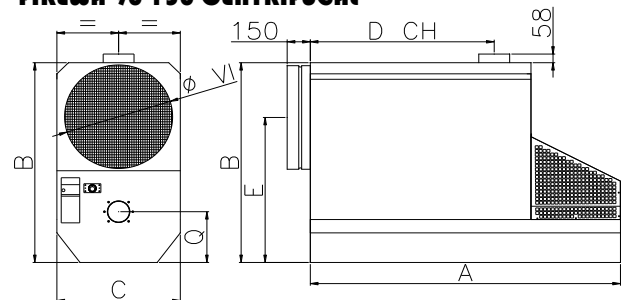
### FIREWA 55 CENTRIFUGAL



### FIREWA 90-150 AXIAL



### FIREWA 90-150 CENTRIFUGAL



### DIMENSIONS

Model	A	B	C	D CH	Ø CH	E	Q	Ø VI
<b>FWA-55</b>	1.125	760	560	965	150	610	217	350
<b>FWA-90</b>	1.500	1.100	650	915	150	785	299	600
<b>FWA-150</b>	1.850	1.350	800	1.192	200	985	345	700

SOLUCIONES A MEDIDA  
PARA CUALQUIER TIPO DE APLICACIÓN



EN UN RANGO DE QUEMADORES DESDE 12KW A 34 MW